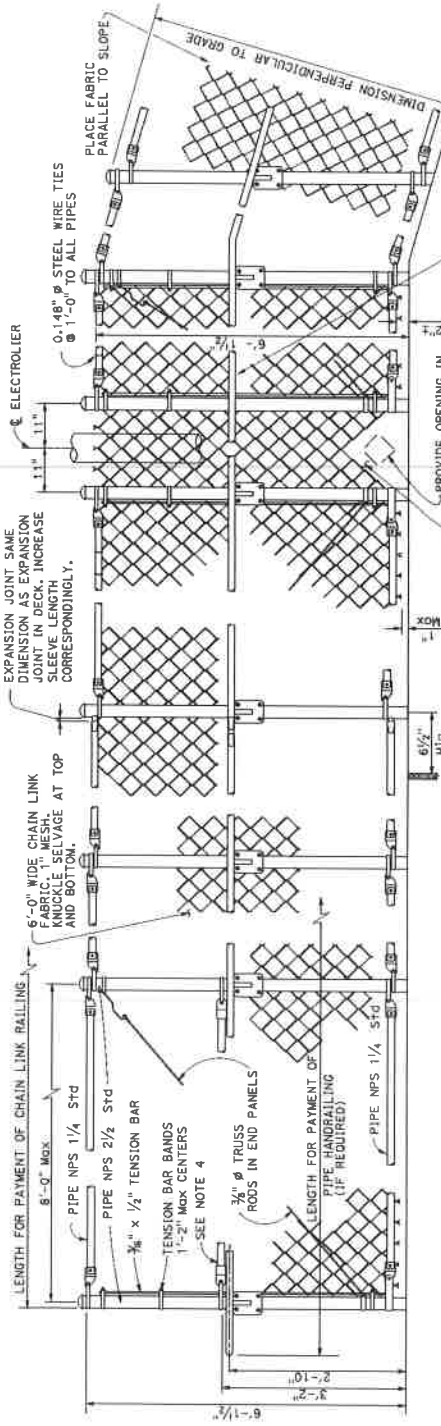
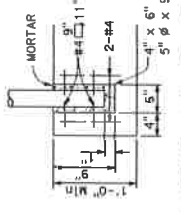
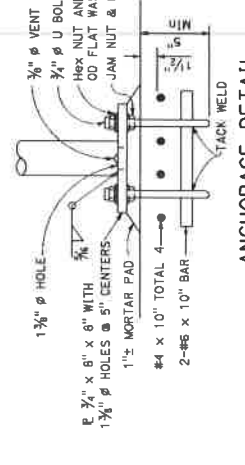
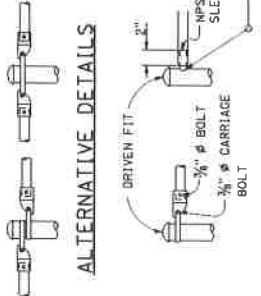


10491 COUNTY ROUTE FOOT MILLS SHEET TOTAL TOTAL PROJECT SHEETS

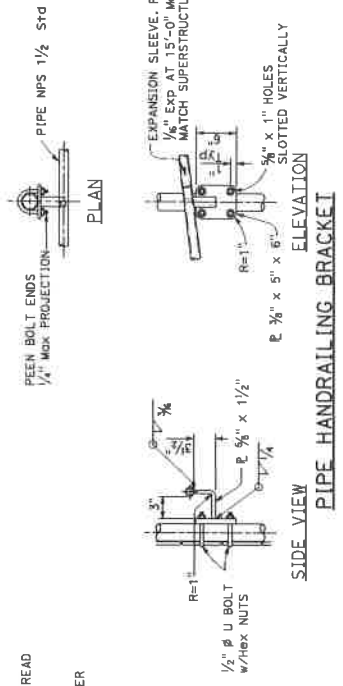
REGISTERED CIVIL ENGINEER
 MAY 31, 2018
 PLANS APPROVAL DATE
 CIVIL ENGINEER
 CIVIL
 THE ASSOCIATION OF REGISTERED PROFESSIONAL ENGINEERS OF CALIFORNIA



END POST **INTERMEDIATE POSTS** **AT DECK** **AT ELECTROLIER** **ON SLOPES** **PIPE HANDRAILING AT END**



- NOTES:**
1. Peen all bolt threads.
 2. Railing shall conform to horizontal and vertical alignment. Posts shall be vertical. Top and bottom pipes shall be bent if radius is 148'-0" or less; may be on 8'-0" chords if radius is over 148'-0".
 3. When railing is on slope, 6'-0" chain link fabric shall be placed parallel to slope.
 4. Additional pipe NPS 1/4 Std required when radius is less than 150'-0".



STATE OF CALIFORNIA
 DEPARTMENT OF TRANSPORTATION
CHAIN LINK RAILING
 NO SCALE

B11-7

Return to Table of Contents