

POST-MILES TOTAL PROJECT SHEET NO. SHEETS

ROUTE COUNTY DISTRICT

REGISTERED CIVIL ENGINEER

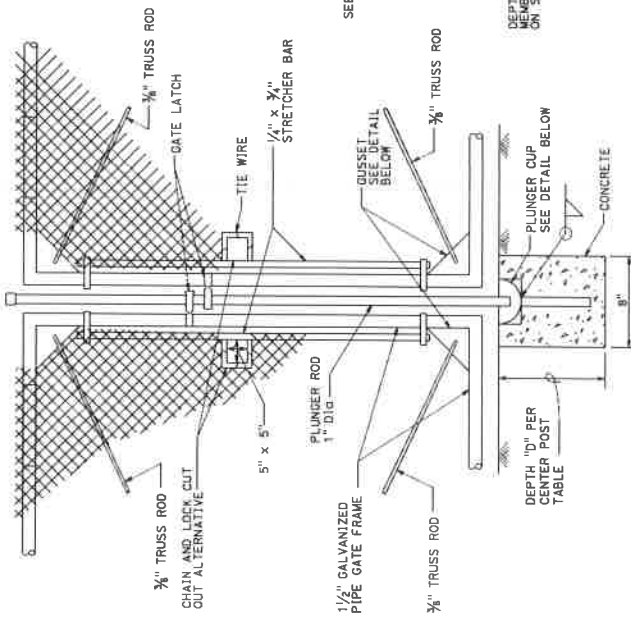
MAY 31, 2018

PLANS APPROVAL DATE

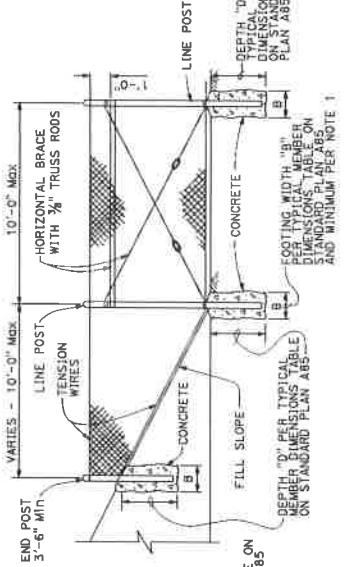
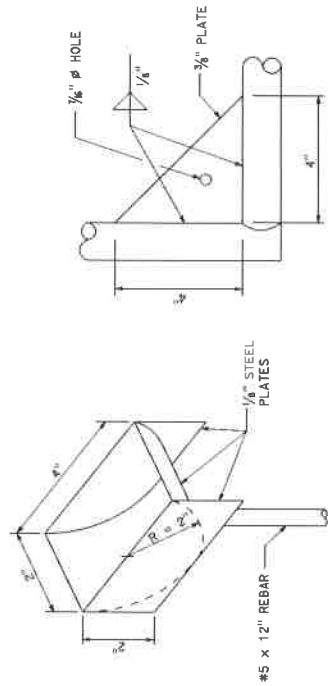
FOR THESE PLANS THE ENGINEER HAS CONDUCTED VISUAL GENERAL VERIFICATION OF THE ACCURACY OF THE INFORMATION PROVIDED BY THE DESIGNER OR HIS EMPLOYEES OR AGENTS.

- NOTES:**
1. B is not less than 3 times maximum cross section of post with minimum of 8".
 2. See Standard Plan A85 for Chain Link Fencing dimensions.
 3. See Detail A on Standard Plan A86B for connection at headwall.
 4. See Detail D on Standard Plan A86B for connection at headwall.

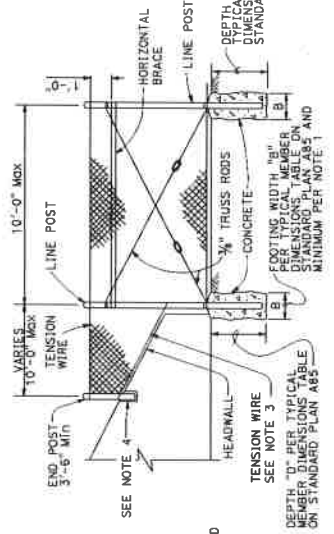
CENTER POST		D
FENCE HEIGHT (Max)	SLATTED	
ALL HEIGHTS	NO	1'-6"
5'-0"	YES	3'-0"
6'-0"	YES	3'-6"
8'-0"	YES	3'-6"
10'-0"	YES	4'-0"



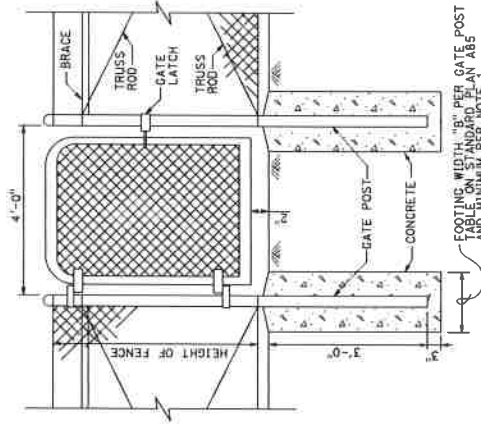
DOUBLE GATE REMOVABLE CENTER POST
Each gate maximum width is 12'-0"



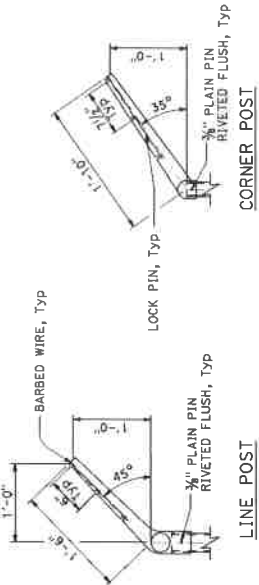
METHOD OF ERECTING FENCE FOR FILL SLOPE



METHOD OF TYING FENCE TO HEADWALL



WALK GATE



BARBED WIRE POST TOP

CHAIN LINK FENCE DETAILS

A85A

STATE OF CALIFORNIA
DEPARTMENT OF TRANSPORTATION
NO SCALE

Return to Table of Contents